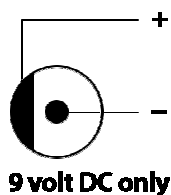
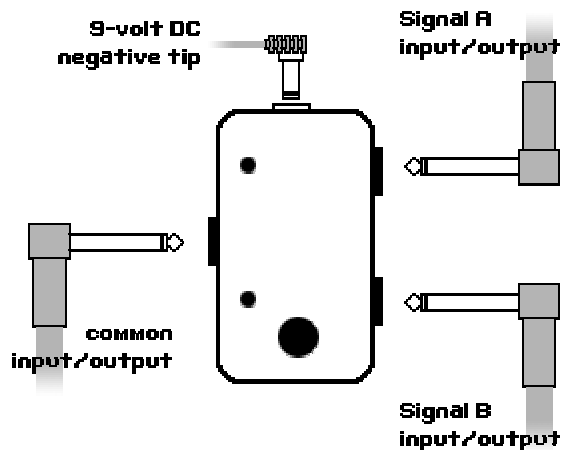


AUDIO SIGNAL SWITCHER

ASS-1

The **Audio Signal Switcher ASS-1** from **Audible Disease** is a simple passive signal-switching device that takes either one input and lets you switch between two outputs or run it the other way and switch between two inputs into a common output. The **purple colored** indicator lights not only are mesmerizing but also let you know which channel is selected... a feature not found in other name brand passive A/B switchers. All this is housed in a **tiny enclosure** to save space on pedal boards.



The **Audio Signal Switcher ASS-1** is powered with a standard adapter with a "barrel" type tip (9-volt DC negative center pin). We recommend the **Visual Sound 1 SPOT** power adapter (available through NoiseFX). Since the pedal is a passive device, powering the pedal is not necessary for the switching to work. Power is needed only to see the two LED channel indicators.

Contact us at disease@audibledisease.com
if you ever have problems with your
pedal. We'll fix it up!

audible disease
san francisco USA